



H I G H P E R F O R M A N C E L I N I N G S Y S T E M S



Complete Corrosion Protection

The leader in seamless polymer protection for more than 90 years, Stonhard manufactures and installs Stonchem, an extensive line of coatings and linings products for harsh environments: secondary containment, processing areas, pits and trenches. We engineer solutions and provide a single source warranty on both products and workmanship.

STONHARD
single
source

stonhard.com



Engineering Survey

Conducted by your local Stonhard Project Engineer. Over 300 Project Engineers and Regional Lining Specialists.

Polymer Technology

A complete family of polymer solutions to solve the toughest corrosion problems.

System Options

A full range of lining configurations to meet your exact physical requirements.

Engineering Details

The difference between long-term, successful performance and early lining failure. Engineering drawings are available to assist you in design specifications.

Installation

Over 200 specially trained installation teams. Stonhard takes full responsibility for products and workmanship.

Post-Installation Services

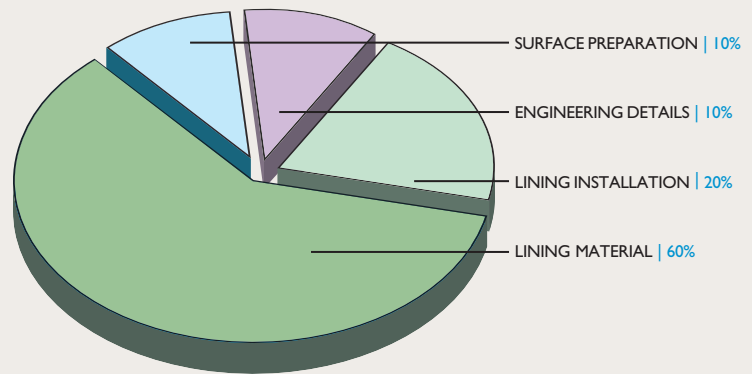
Detailed follow-up and inspection by your local Project Engineer.

Commitment to Customer Satisfaction

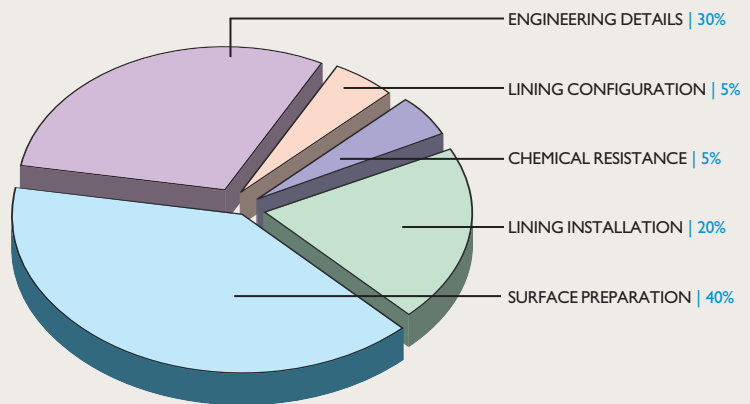
Stonhard's commitment to be your long-term partner in problem solving guarantees satisfaction beyond contractual and warranty terms.

Selecting the best lining system is only the beginning to solving your corrosion problems. Engineering details, surface preparation and installation are critical factors affecting the long-term performance of your lining system. While these elements represent only 40% of the cost of a typical lining system, lack of attention to or elimination of these details leads to 90% of all lining failures – 90%!

Stonhard's engineered solutions address all elements of your lining project. This approach minimizes your risk and provides maximum return on your investment.



INSTALLED LINING COST



LINING PERFORMANCE PROBLEMS

Consult your Stonhard Project Engineer for the high performance lining system that is right for you.





LINING SYSTEMS

STONHARD LINING SYSTEMS

Corrosive environments often require solutions for a variety of obstacles using a single system. A well designed lining must address two critical factors — chemical exposure and the physical demands of the application. An appropriate resin system ensures protection from and containment of the chemicals used in your application. Gathering information about the conditions of use (e.g. traffic conditions, exposure duration and frequency, maintenance procedures, thermal stresses, etc.) will ensure the best system is selected, guaranteeing long-term protection. Stonhard knows that superior solutions begin with state-of-the-art polymer technology and expert system engineering. Our complete line of resin chemistries is specifically formulated to meet the needs in any chemical environment — from mild splash and spill to severe immersion service.

POLYMER TECHNOLOGIES

300 Series

This general purpose series of products is based on a highly cross-linked Bisphenol A epoxy resin designed to protect concrete substrates against a broad range of chemicals in a wide variety of applications, including water and wastewater treatment facilities.

Best for exposure to low concentrations of inorganic acids and moderate concentrations of caustics.

**Stonchem 341 is NSF-61 Approved; UL approved system for potable water storage tanks of 6,000 gallons or greater.*

400 Series

State-of-the-art polyurea-polyurethane hybrid technology shapes this series of coatings. This unique polymer is created by a nucleophilic addition reaction between an amine- and hydroxyl-terminated resin and an isocyanate. This reaction allows for the instant formation of a tough, flexible film.

Best for exposure to petroleum products, caustics and moderate concentrations of acids. Systems suitable for use in water and wastewater treatment facilities.

**Stonchem 444 is NSF-61 Approved; UL approved system for potable water storage tanks of 1,000 gallons or greater.*

500 Series

This patented chemistry reacts a hybrid epoxy resin with a combination of modified cycloaliphatic and aliphatic amine hardeners. This unique blend creates a more resilient structure which optimizes the balance between chemical resistance, impact strength and thermal cycling resistance.

Best for exposure to alkalis, moderate acids and high molecular weight solvents.

600 Series

This novolac epoxy resin is used to shape our most advanced epoxy system. The novolac epoxy is synthesized by selective epoxidation of the multiple phenolic hydroxyls of the novolac resin. The resultant, compact structure exhibits elevated temperature and chemical resistance.

Best for exposure to inorganic acids, concentrated sulfuric acid, aggressive solvents and alkalis.

700 Series

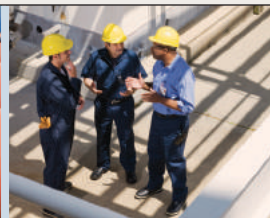
This series is engineered with a chlorendic acid-based, unsaturated polyester resin. This dense polymer network is physically strong and resistant to most oxidizing chemicals.

Best for exposure to nitric acid, chromic acid and hydrogen peroxide.

800 Series

A highly cross-linked vinyl ester resin forms the basis of this series. The combination of a small number of ester groups and a high degree of branching results in excellent thermal stability and broad base chemical resistance.

Best for exposure to concentrated organic acids, inorganic acids, most solvents and alkalis.



ENGINEERING DETAILS

COMPLEMENTARY PRODUCTS

Grouts

Stonset CG4 – an ultra chemical resistant, castable, novolac epoxy grout designed for setting pads, machinery and column pads and for resurfacing and protecting eroded areas with quick turnaround.

Stonset CG5 – a castable epoxy grout designed for setting heavy equipment, machinery, pumps, etc.

Stonset CR5 – a fast-setting, non-porous epoxy grout used to repair voids and erosions in concrete that is ideal for use under epoxy lining systems.

Stonset TG6 – fast setting, trowelable, polyurethane based grout designed for repairing deep voids and erosion in concrete substrates.

Stonset TG8 – a quick-cure, vinyl ester grout used to repair deep voids and erosions in concrete substrates. For use under Stonchem 700 and 800 series systems only.

Stonset PM5 – a high-strength, epoxy patching material used to fill bug holes and voids on vertical and horizontal surfaces.

Stonset PM8 – a high-strength, vinyl ester patching material used to fill bug holes and voids on vertical surfaces.

Stonset PC3 – an epoxy modified cementitious patching compound used for filling holes and form voids in vertical surfaces without adding significant thickness to the substrate.

Sealants/Elastomers

Stonflex MP7/MN7 – a polyurethane sealant for high-movement joints in horizontal and vertical surfaces.

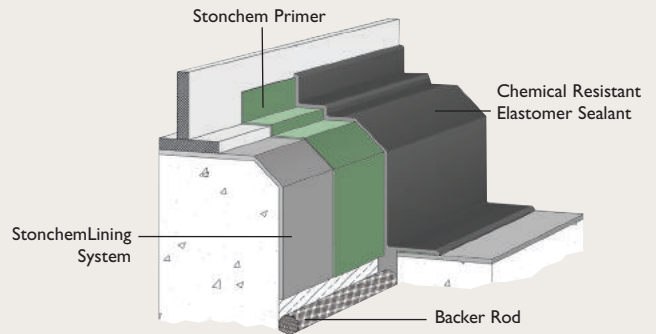
Stonflex CR9 – a two-component, fluoro-elastomeric joint sealer that exhibits exceptional chemical resistance to most acids, alkalis and solvents.

Stonproof CT5 – a two-component, fiberglass reinforced, flexible epoxy membrane designed for crack-bridging applications.

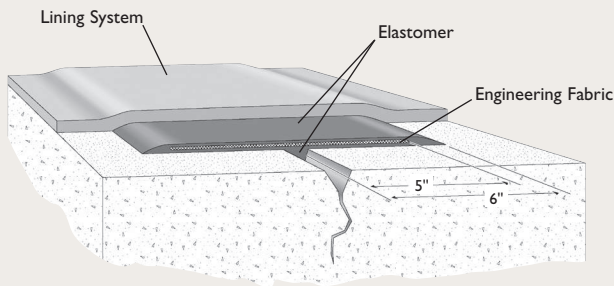


SEAMLESS LINING SYSTEMS

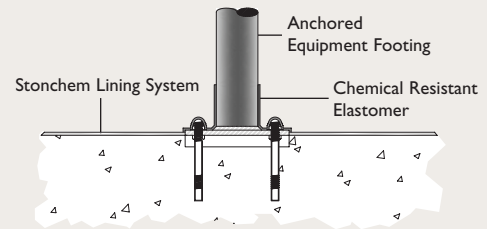
Stonhard's lining experts are devoted exclusively to concrete corrosion protection. And protection begins with proper design and engineering details. Our experience coating both primary and secondary containment areas gives us the ability to offer you the most safe, effective, long-term solutions, from products to installation. Stonhard also offers seamless floor protection to work in conjunction with your lining solutions. Proven performance for over 90 years, Stonhard gives you a single source warranty on floor and lining systems.



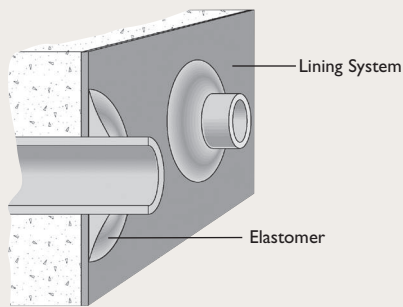
SEAL FOR TANK BOTTOM AND FOUNDATION TREATMENT



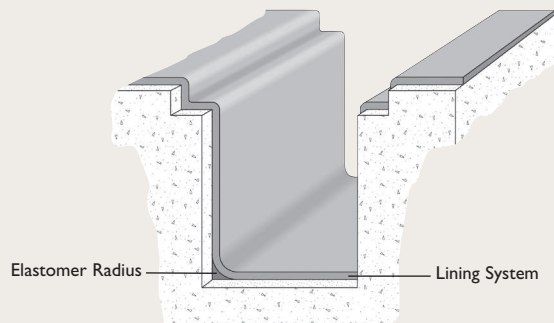
CRACK TREATMENT REINFORCED CRACK REPAIR



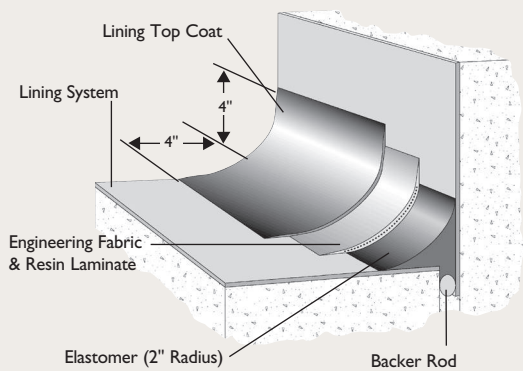
ANCHORED EQUIPMENT FOOTING



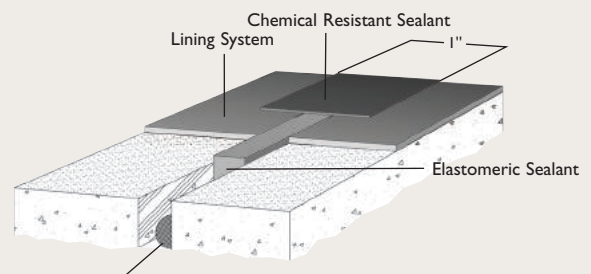
SEAL FOR PIPE PENETRATIONS



TREATMENT FOR SUMPS AND TRENCHES



JOINT TREATMENT HORIZONTAL - VERTICAL ISOLATION JOINT



CHEMICAL RESISTANT JOINT TREATMENT

CUSTOMER SATISFACTION FROM START TO FINISH

Stonhard is dedicated to complete customer satisfaction. We offer a single source warranty covering defects in materials and workmanship for a period of one full year from the date of installation. Our sales offices are located in principal cities throughout the world to assist you in product evaluation and material selection and to provide on-the-spot technical assistance.

The following literature and technical information is available upon request:

- Product Data Sheets
- Chemical Resistance Guides
- Installation Instructions
- Floor Maintenance Guide
- Material Safety Data Sheets
- References and Case Histories

For more information on Stonhard's complete line of high performance floor, lining and wall systems, call us at **800.257.7953** or visit us at **www.stonhard.com**.

STONHARD

Stonhard Worldwide

Maple Shade, NJ, USA
800.257.7953

Whitby, Ontario, Canada
(905) 430.3333

Mexico City, Mexico
(52) 55.9140.4500

Buenos Aires, Argentina
(54.3327) 44.2222

Nivelles, Belgium
(32) 67.493.710

Dubai, U.A.E.
(971) 4.3470460

Johannesburg, South Africa
(27) 11.254.5500

Shanghai, China
(86) 21.54665118

Melbourne, Australia
(03) 9587.7433

U.S. Sales and Distribution

Maple Shade, NJ
Atlanta, GA
Dallas, TX
Chicago, IL
San Francisco, CA

a brand of
S THE
STONHARD
GROUP
FLOORS FOR EVERY ENVIRONMENT

